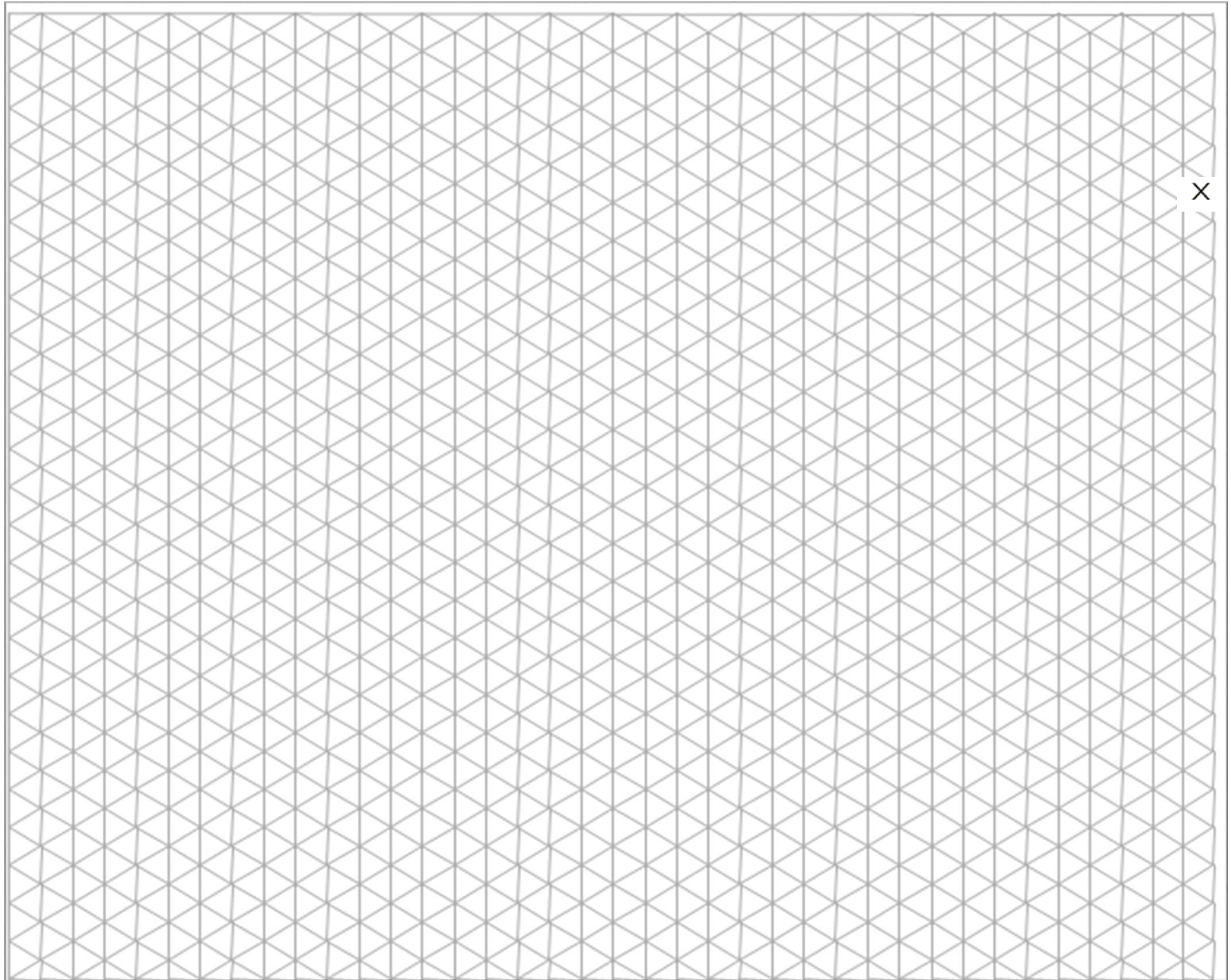
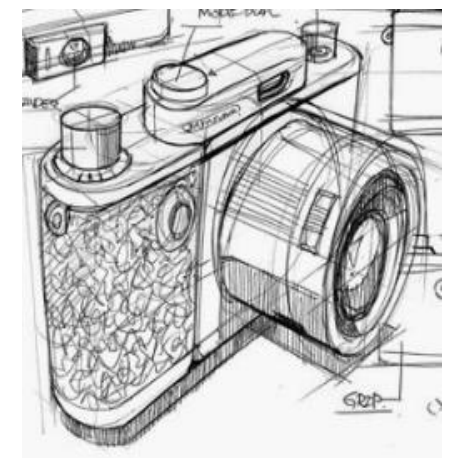
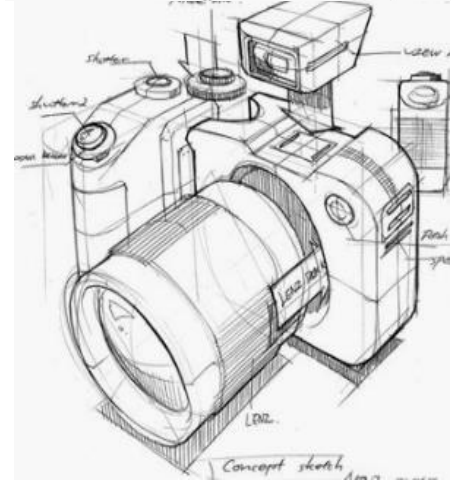
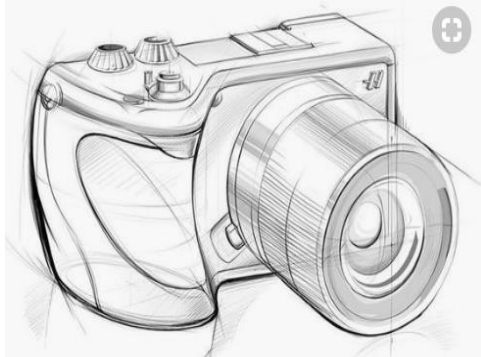


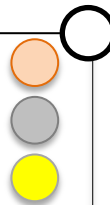
# WEEK 4: Isometric Camera:

**Task 4a:** Using the crating technique draw a camera and all its details in isometric.



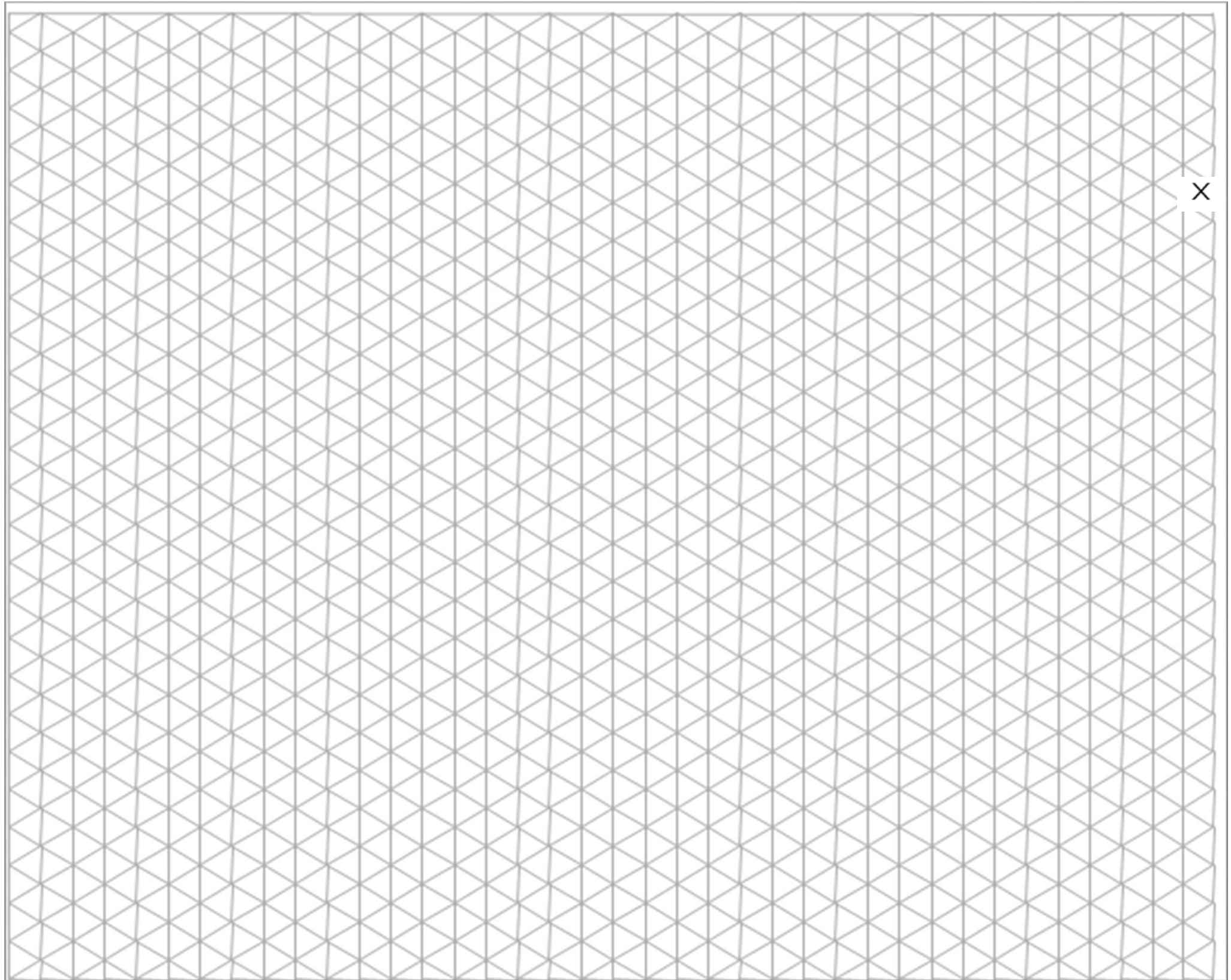
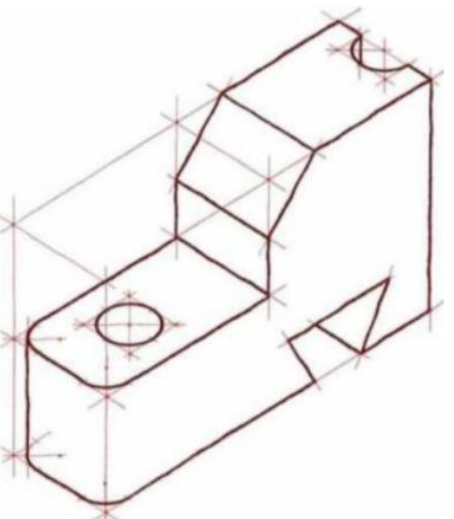
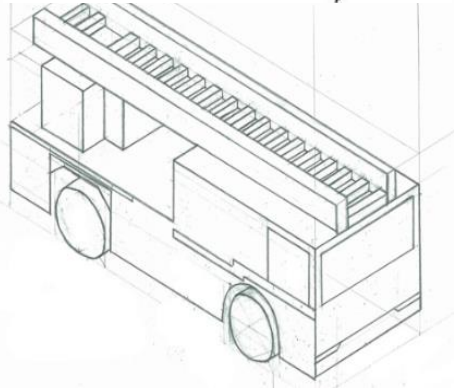
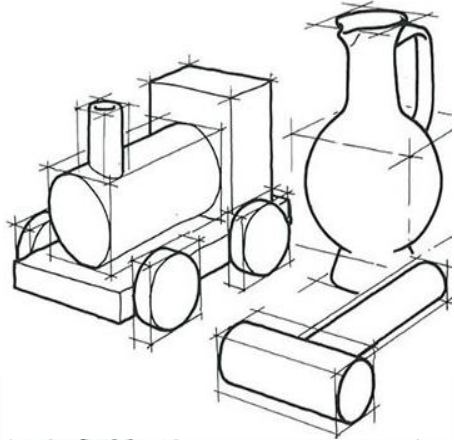
## Lesson Objectives / (Nodau Dysgu)

- Pupils should be able to understand how to draw in isometric to complete a camera.
- Pupils should be able to use their understanding of isometric to draw more complex details independent of the tutorial.
- Pupils should be able to use their understanding of isometric to complete an independent drawing, adding own details moving away from the tutorial



# WEEK 4: Isometric Products:

**Task 4b:** Using the crating technique draw everyday objects and all their details in isometric.



## Lesson Objectives / (Nodau Dysgu)

- Pupils should be able to understand how to draw in one point perspective to complete crating.
- Pupils should be able to use their understanding of one point perspective to draw more complex details independent of the tutorial.
- Pupils should be able to use their understanding of one point perspective to complete an independent drawing moving the vanishing point, adding their own details moving away from the

